



AVF Series Crash Tested Anti-Vehicle Fencing System



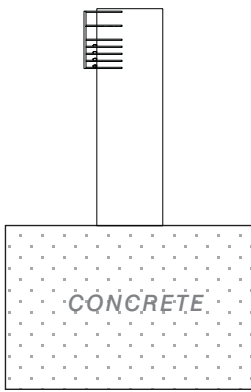
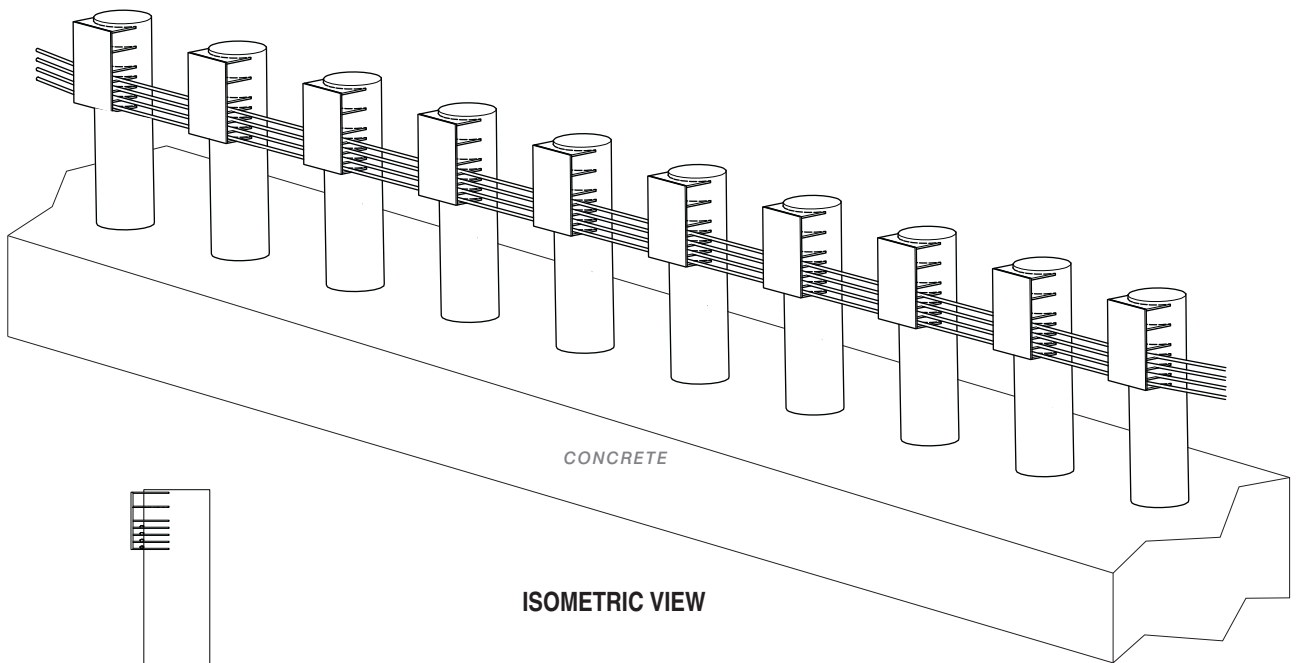
General Description

Optima Engineering, with its 15 years experience in crash tested high security systems, designs, manufactures and installs high security, crash tested, heavy duty fencing systems. Optima Anti-Vehicle Fencing (AVF) series products are suitable for borders, army, industrial (all kinds of industries like oil, chemical etc.), governmental (palaces, offices, ministries, stadiums, etc.) and commercial buildings. As proved by the PAS 68:2013 Fence V/7500[N3]/80/90:0.0/15.6 crash test, Optima AVF Series crash tested fences guarantee a %100 percent safety for any kind of suicide vehicle bombing attempts.

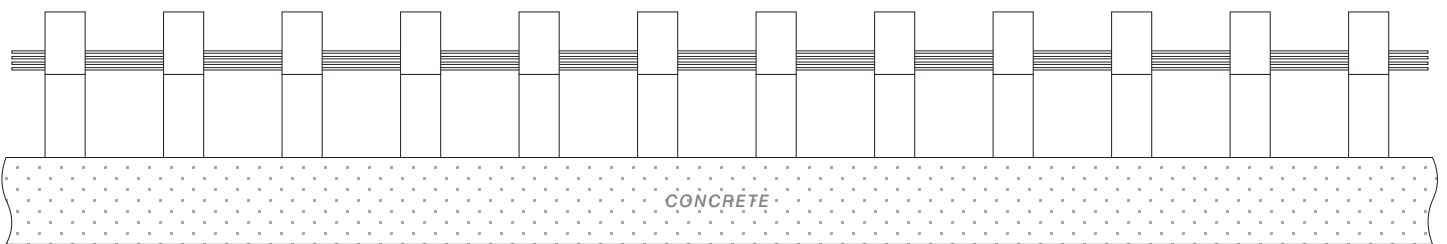
SPECIFICATIONS OF FENCING SYSTEM AND FOUNDATION

1. System consists of bollards, steel ropes and connecting links between the bollards.
2. Proven by the PAS 68:2013 Fence V/7500[N3]/80/90:0.0/15.6 crash test, suicide vehicle is kept outside the secure side (grade P1, zero penetration)
3. No rebar required in the concrete foundation.
4. No plywood forms required on sides and bottom while pouring concrete
5. Continuous excavation by standard excavator. Rectangular excavation.
6. No detailed calculations to determine the place of excavations.
7. No special circular excavation
8. Very economic and very easy civil works
9. System comes in 12mt modules. Very easy installation.
10. Material of steel tube is special type high strength steel.
11. Extra high strength steel ropes for increasing structural durability.
12. Top and bottom of the bollard is covered by welding same material.
13. Optima AVF system is sand blasted and three layers primer and epoxy painted for corrosion protection.
14. This fencing system is actual crash tested by 7500kg truck travelling at 80 km/h. Actual crash test also proved that follow on suicide truck can not pass as well.

Optima AVF Series Crash Tested Anti-Vehicle Fencing System is BSI PAS 68:2013 Fence V/7500[N3]/80/90:0.0/15.6 zero penetration crash tested and certified.



SIDE VIEW



FRONT VIEW

