

**FLUSH MOUNT ELECTROMECHANICAL
TYRE KILLER WITH ARM BARRIER**



BTK Flush Mount



General Description

Electromechanical tyre killer with arm barrier is one of the highest security vehicle access control systems in which a vehicle without permission cannot enter. Tyres of the unpermitted vehicle splits open immediately, therefore the vehicle moves only a few more meters and stopped. This product stops vehicles coming from **both** directions. Teeth of tire killer move all together. Drive unit is placed to one end of the tyre killer and stands above the ground level. The arm barrier, which is connected to the drive unit, is another safety feature. It is a mechanism that allows the passage of vehicles by working together with tyre killers.

CONTROL ELECTRONICS

OPTIMA Electromechanical tyre killer with arm barrier is controlled with the help of advanced microelectronics. Barrier works with 220-240 VAC, 50-60Hz. Every kind of radio control receiver cards, safety photocells, open/close buttons, loop detectors, flashing lights etc. can be integrated to the control electronics easily. Closing the barrier can be utilized by automatic time delay facility, as well as inputs from other sources. Control electronics is mounted in a IP 65 proof plastic box, as most of the installations are made outdoors. Unit comes with a start stop button.

CABINET

Barrier cabinet is designed to IP 55. Body front lid and top lid is manufactured from A1 Quality Steel. The cabinet is painted to RAL 2004 and then furnace. There is also locking mechanism in the front lid of cabinet.

ARM

Arm is aluminium with a special elliptical like cross section design. This special design enables a safety gasket to be mounted under the arm, besides increase the arm's inertia (i.e. increased durability against impact, wind force etc.) It is manufactured by a special mould, with extrusion process. On the arm, there are red phosphorescent stickers as a night time warning. Two ends of the arm is closed by plastic caps. On top of the arm, there is a LED light strip which is red when road is closed and green when road is open.

TEETH

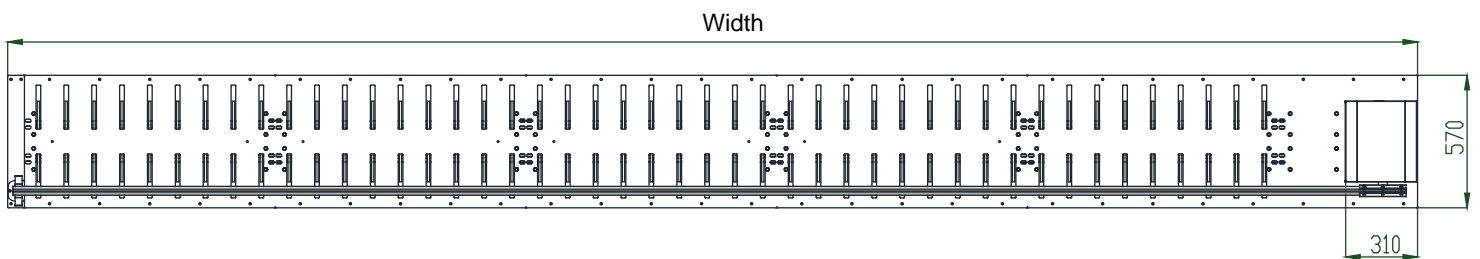
Splitting teeth utilized in tyre killer is manufactured from hardened steel. When closed, tire killer is designed to withstand 40 tons axle load. As it will generally be installed outdoors, all the elements of body,teeth and drive unit is galvanized. Driving axle on which the teeth are welded is supported by ball bearings, therefore both smooth operation and durability against high axle loads is achieved.

ENVIRONMENTAL CONDITIONS AND POWER REQUIREMENTS

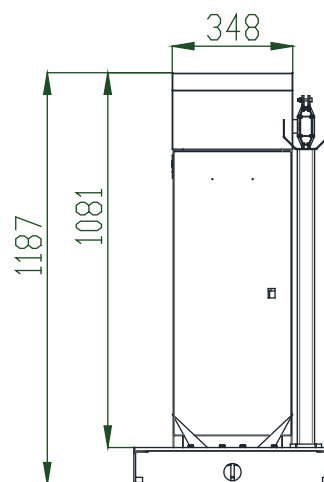
Between -20° and 65°, %95 non-condensing humidity; 220-240 VAC 50-60 Hz.

OPTIONAL ACCESSORIES

1. Flashing light
2. Barrier skirt
3. Protection bar
4. Safety photocell
5. Safety loop detector with dual antenna
6. Radio control receiver, transmitter and antenna
7. Red/Green traffic light
8. Different color options
9. Push button with enclosure
10. Stop sign in the middle of aluminium barrier arm



TOP VIEW



SIDE VIEW